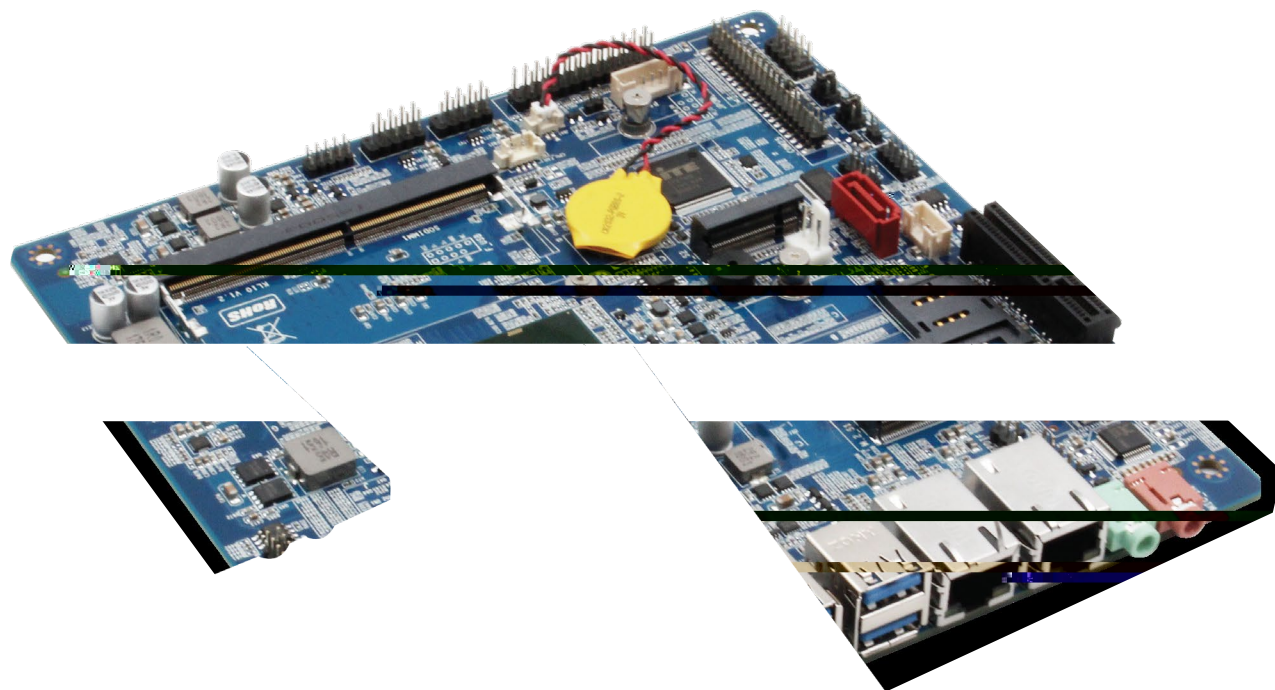


# KL-10

## Intel® Kaby Lake-U based Mini-ITX Motherboard



### Features

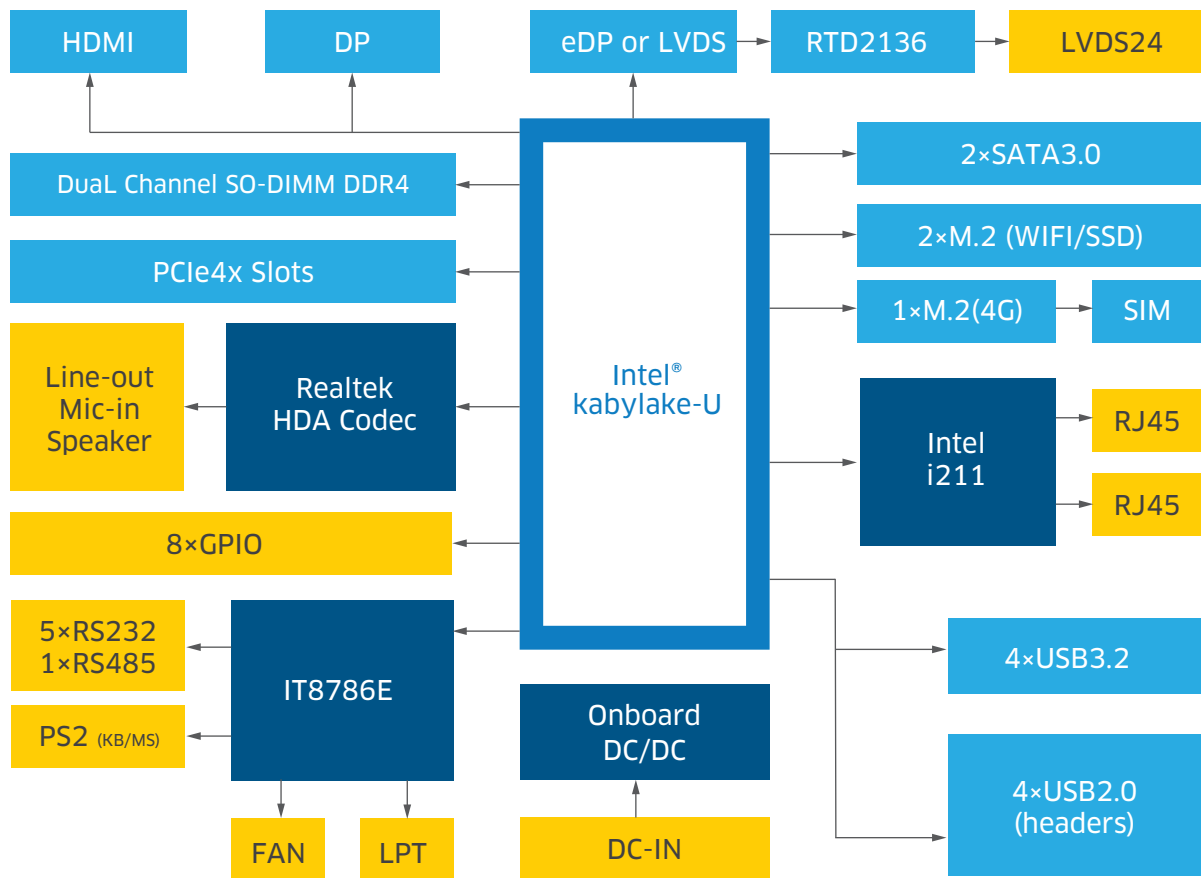
- CPU: Intel Kaby Lake-U Core and Celeron Processor
- Memory: Dual channel SO-DIMM DDR4 up to 32 GB
- Display: Intel Integrated Display via HDMI, DP, eDP/LVDS
- Ethernet: 10/100/1000 Mbps
- Storage: SATA3.0, M.2
- Expansion: M.2 for WiFi, PCIe X4, eMMC Optional
- Power: 12V DC input



## Technical Specifications

|                  |  |  |               |          |          |
|------------------|--|--|---------------|----------|----------|
| Processor        | CPU  | 3865U  | i3-7100U      | i5-7200U | i7-7500U |
|                  | Base Frequency                                     | 1.8GHz   | 2.4GHz        | 2.5GHz   | 2.7GHz   |
|                  | Max Turbo Frequency                                | /  | /             | 3.1GHz   | 3.5GHz   |
|                  | Cache  | 2MB  | 3MB           | 3MB      | 4MB      |
|                  | TDP  | 15W  | 15W           | 15W      | 15W      |
|                  | BIOS   | AMI UEFI BIOS  |               |          |          |
| Memory           | Type   | Dual Channel SO-DIMM DDR4                                |               |          |          |
|                  | Max. Capacity                                      | 32GB   |               |          |          |
| Display          | GPU  | Intel HD Graphics based on CPU                           |               |          |          |
|                  | Display via  | 1xHDMI + 1xDP + 1x LVDS/eDP                              |               |          |          |
| Ethernet         | Speed  | 10/100/1000 Mbps   |               |          |          |
|                  | Controller   | Intel i211   |               |          |          |
|                  | Interface  | 2xRJ45   |               |          |          |
|                  | Wake on LAN  | Yes  |               |          |          |
| Audio            | Audio Codec  | Realtek HD   |               |          |          |
|                  | Interface  | Line-out, Mic-in, support audio header, amplifier header |               |          |          |
| Hardware         | CPU system temperature, On-board voltage, Watchdog |  |               |          |          |
| Storage          | M.2  | 1x M.2 for 2242 SSD                                      |               |          |          |
|                  | SATA3.0  | 2x SATA3.0 (only 1 SATA if Celeron is on board)          |               |          |          |
|                  | eMMC   | Optional   |               |          |          |
| Expansion        | PCIe 4X  | 1  |               |          |          |
|                  | M.2  | 1x M.2 for WiFi  |               |          |          |
|                  | M.2  | 1x M.2 for 3G/4G Module                                  |               |          |          |
| I/O Interface    | COM  | 6xCOM: 5*RS232 +1*RS485                                  |               |          |          |
|                  | LAN  | 2  |               |          |          |
|                  | USB3.2   | 4  |               |          |          |
|                  | USB2.0   | 4(headers)   |               |          |          |
|                  | Audio  | 1x line-out, 1x mic-in                                   |               |          |          |
|                  | GPIO   | 8  |               |          |          |
|                  | PS/2   | 1  |               |          |          |
|                  | LPT  | 1  |               |          |          |
|                  | Dimension  | Size   | 170mm x 170mm |          |          |
|                  | Board Type   | Mini ITX   |               |          |          |
| Power            | Standard Port                                      | 12V DC-in/4-pin power                                    |               |          |          |
|                  | Peripheral Input                                   | For Fan and SATA   |               |          |          |
| Temperature      | Operating Temp.                                    | -20°C to 60°C  |               |          |          |
|                  | Storage Temp.                                      | -40°C to 80°C  |               |          |          |
| Operating System | Windows 10 64bit, Linux 64bit                      |  |               |          |          |

## Functional Block Diagram



## Order Information

| Model Name | Description  |
|------------|--|
| DT3865U-A  | DT MINI-ITX Intel Celeron 3865U KL10 2LAN 5*RS232 1*RS485 DP+HDMI+LVDS |
| DT3865U-E  | DT MINI-ITX Intel Celeron 3865U KL10 2LAN 5*RS232 1*RS485 DP+HDMI+EDP  |
| DT7200U-A  | DT MINI-ITX Intel Core I5-7200U KL10 2LAN 5*RS232 1*RS485 DP+HDMI+LVDS |
| DT3855U-A  | DT MINI-ITX Intel Celeron 3855U KL10 2LAN 5*RS232 1*RS485 DP+HDMI+LVDS |

\*For customized options, please consult regional sales. And please confirm the model name and description before purchasing. \*The model name and description might vary due to inventory changes.

Copyright © 2018 Maxtang Technology Co. Ltd. All rights reserved. All data is for information purposes only and not guaranteed for legal purposes. Information has been carefully checked and is believed to be accurate however, no responsibility is assumed for inaccuracies. Maxtang and the Maxtang logo and all other trademarks or registered trademarks are the property of their respective owners and are recognized.