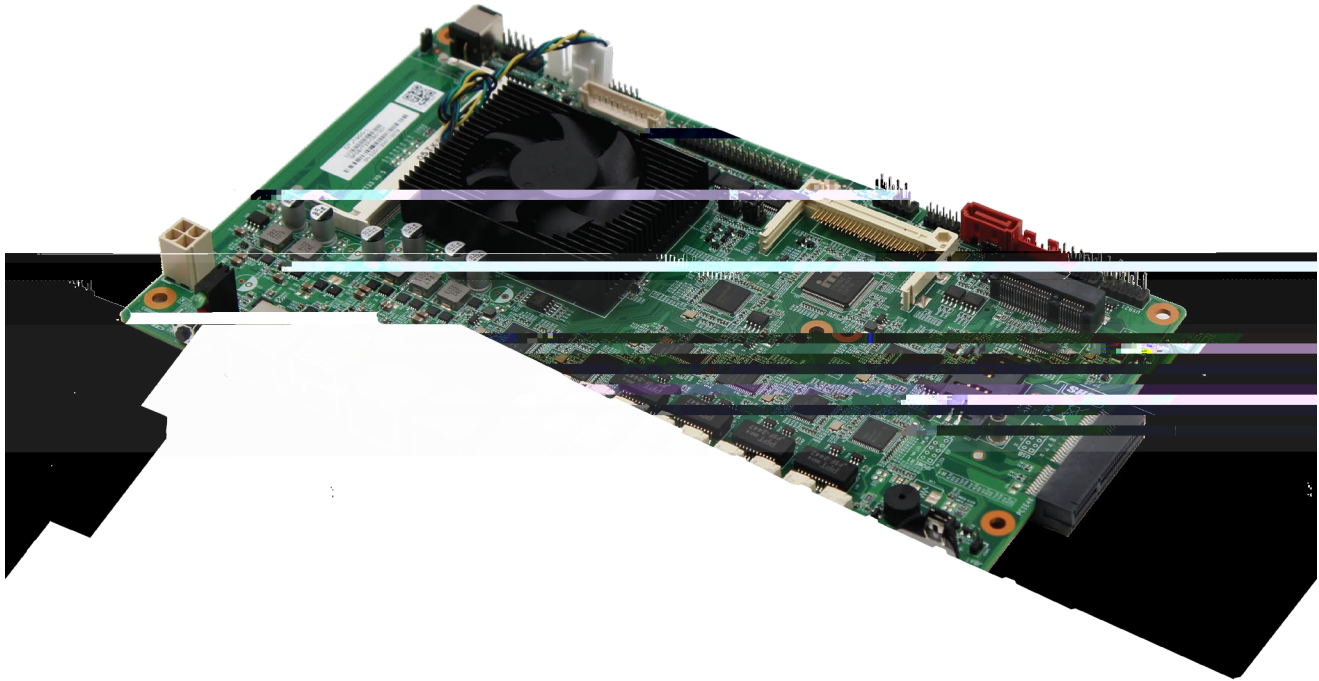


# BYT-33

## Intel® Bay Trail Processor based Embedded Motherboard



### Features

- CPU: Intel Bay Trail Celeron J1900 processor
- Memory: Single Channel DDR3L up to 8GB
- I/O Interface: 6xLAN, 2xUSB2.0, 4xUSB2.0(Header)  
6xCOM/2xCOM, 8xGPIO
- Display: VGA(Header)
- Ethernet: 10/100/1000Mbps
- Storage: mSATA/SATA2.0, CF Card
- Expansion: 1xPCIe4x(PCIe2x Signal), 1xMini PCIe
- Power: 12V DC input



IoT Solutions  
Alliance  
**Industrial Solution  
Builders Specialist**

**Maxtang**<sup>®</sup>

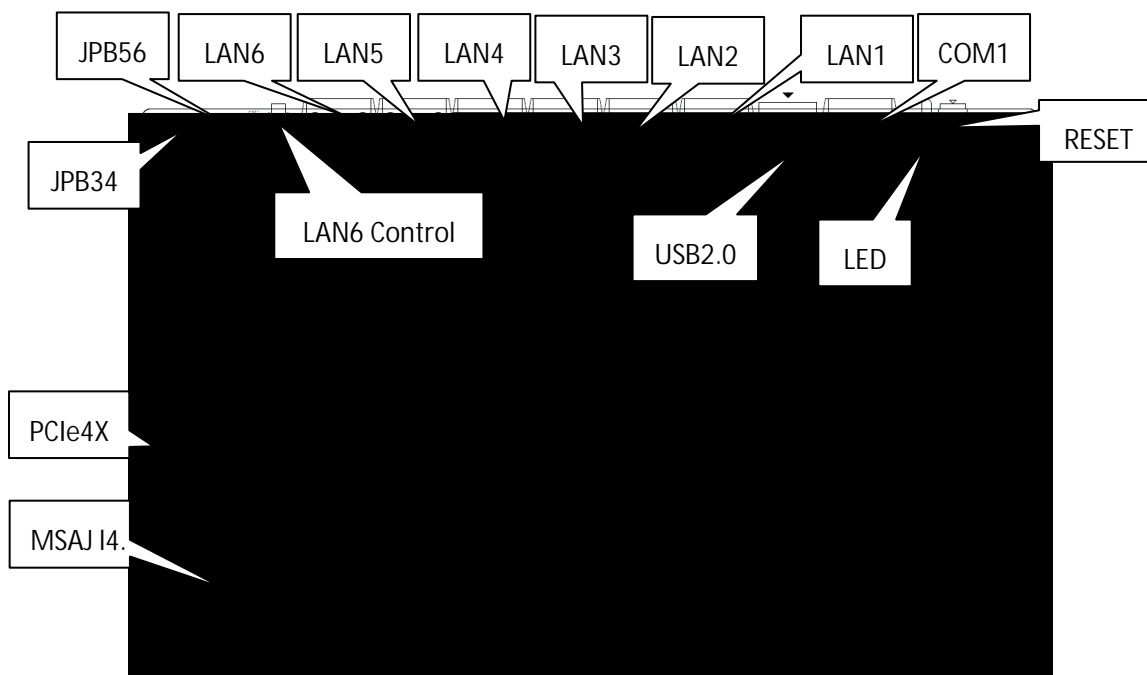
MAXIMIZING YOUR COMPUTING PRODUCTIVITY



## Technical Specifications

Processor	CPU	Celeron J1900 (Quad-Core)
	Burst Frequency	2.42 GHz
	Base Frequency	2.0 GHz
	Cache	2MB L2
	TDP	10 W
	BIOS	AMI UEFI BIOS
Memory	Type	1x SO-DIMM DDR3L
	Max Capacity	8GB
Display	GPU	Intel Integrated Graphics
	Display via	1x VGA *header
Ethernet	Speed	10/100/1000Mbps
	Controller	Intel i210/i211
Storage		CF Card, mSATA/SATA (Alternative)
Expansion	PCIe	1xPCIe4x(PCIe2x Signal), 1xMini PCIe for 4G and WiFi
I/O Interface	USB2.0	6 (2 *ports + 4 *header)
	LAN	6xLAN (Intel i210/i211)
		LAN3-4, LAN5-6 Bypass
	COM	6xCOM/2COM (RS232)
		COM1 RJ45, Console (COM3, COM4 RS485 Optional)
	GPIO	8 (one group)
Dimension	Size	238mm x 146mm
Power	Standard port	12V DC-in
Temperature	Operating Temp.	-20°C to 60°C
	Storage Temp.	-20°C to 60°C
Cooling method		Active (Fan)
Operating System		Windows 7, Windows 10 64bit, Linux 64bit

\* All specifications and photos are subject to change without notice.



Copyright ©2018 Maxtang Technology Co. Ltd. All rights reserved. All data is for information purposes only and not guaranteed for legal purposes. Information has been carefully checked and is believed to be accurate however, no responsibility is assumed for inaccuracies. Maxtang and the Maxtang logo and all other trademarks or registered trademarks are the property of their respective owners and are recognized.