

TL-10

Intel Tiger Lake-U Processor based Mini ITX Motherboard with 4 HDMI

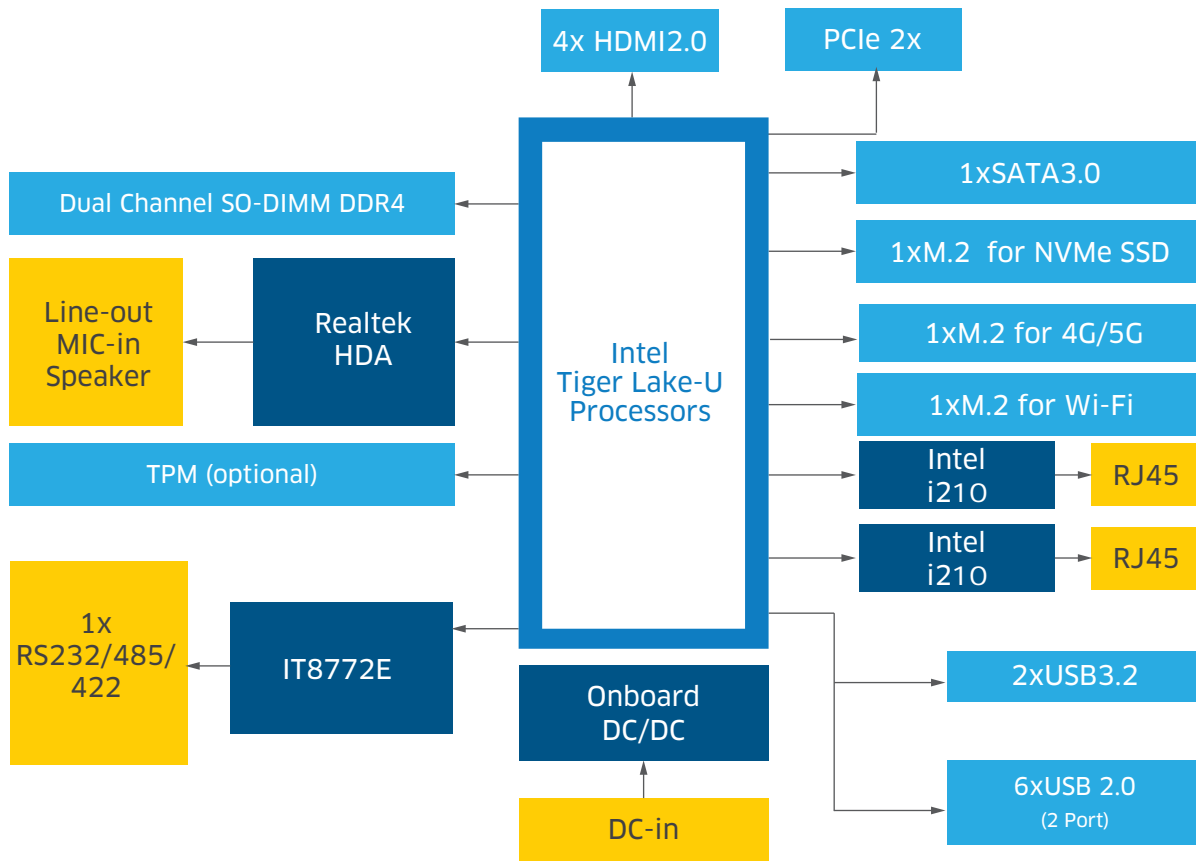


Features

- CPU: Intel Tiger Lake-U Processors
- Memory: Dual Channel SO-DIMM DDR4 UP to 64 GB
- Display: Intel Iris Xe Graphics display via 4xHDMI
- Ethernet: 10/100/1000 Mbps
- Storage: SATA, M.2 for NVMe SSD
- Expansion: M.2 For WiFi, M.2 for 4G/5G, PCIe2X
- Power: 12V/19 DC input



Functional Block Diagram



Order Information

Model Name	Description
DT-11320H-A	DT MINI-ITX Intel Core i5-11320H TL10 2LAN 4HDMI 1COM
DT-1135G7-A	DT MINI-ITX Intel Core i5-1135G7 TL10 2LAN 4HDMI 1COM
DT-1165G7-A	DT MINI-ITX Intel Core i7-1165G7 TL10 2LAN 4HDMI 1COM
DT-6305-A	DT MINI-ITX Intel Celeron 6305 TL10 2LAN 4HDMI 1COM

*For customized options, please consult regional sales. And please confirm the model name and description before purchasing. *The model name and description might vary due to inventory changes.

Copyright © 2023 Maxtang Technology Co. Ltd. All rights reserved. All data is for information purposes only and not guaranteed for legal purposes. Information has been carefully checked and is believed to be accurate however, no responsibility is assumed for inaccuracies. Maxtang and the Maxtang logo and all other trademarks or registered trademarks are the property of their respective owners and are recognized.