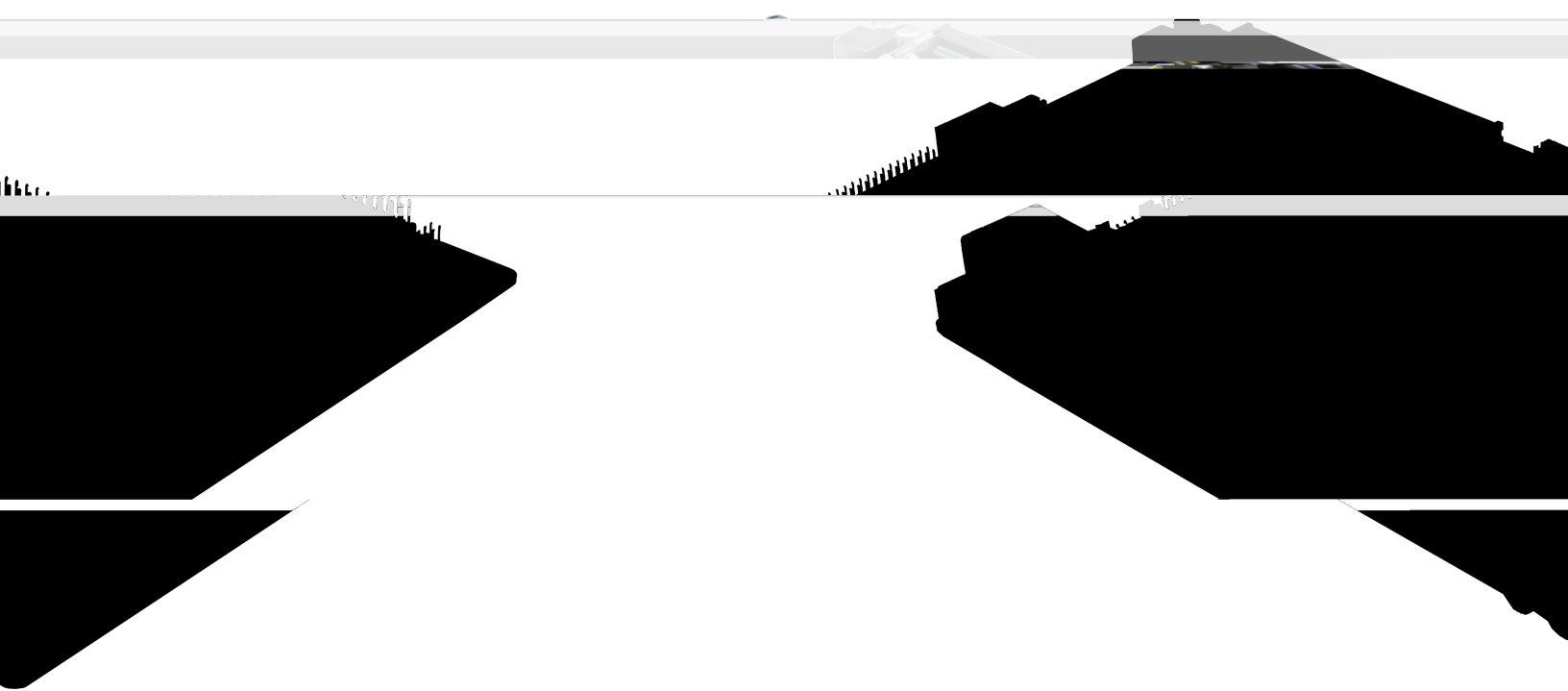


# FP-610

## AMD® Ryzen™ Mobile/Embedded Series Processor based Mini ITX with 4 DisplayPorts



### Features

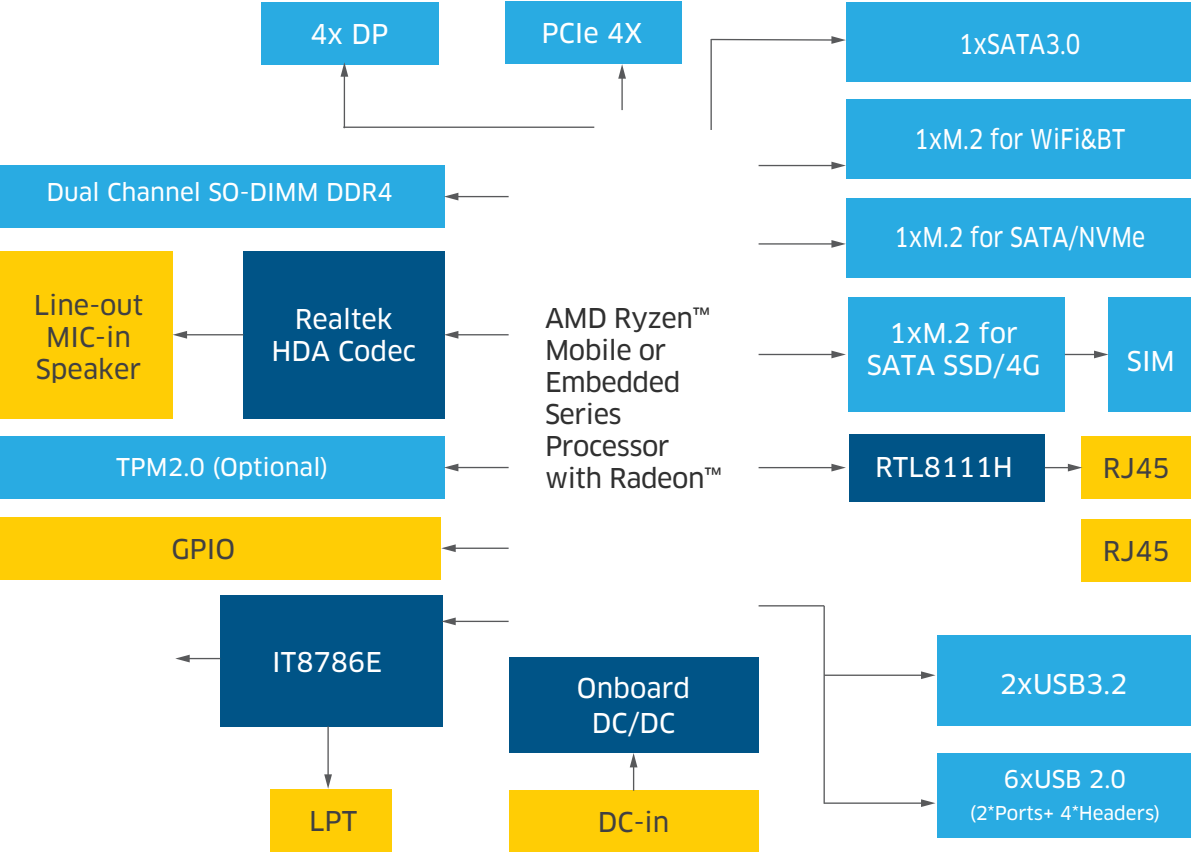
- CPU: AMD Ryzen™ Mobile/Embedded Series Processor
- Memory: Dual channel SO-DIMM DDR4 up to 64 GB
- Display: AMD Radeon™ Graphics, Up to 4 independent 4K displays
- Ethernet: 10/100/1000Mbps
- Storage: 1xSATA3.0, 2xM.2 for SSD
- Expansion: PCIe 4X, M.2 for WiFi
- Power: 19V DC input







# Functional Block Diagram



Copyright © 2023 Maxtang Technology Co. Ltd. All rights reserved. All data is for information purposes only and not guaranteed for legal purposes. Information has been carefully checked and is believed to be accurate however, no responsibility is assumed for inaccuracies. Maxtang and the Maxtang logo and all other trademarks or registered trademarks are the property of their respective owners and are recognized.